



ET1050 TruckLine



Hand Spin



Manual Gauge



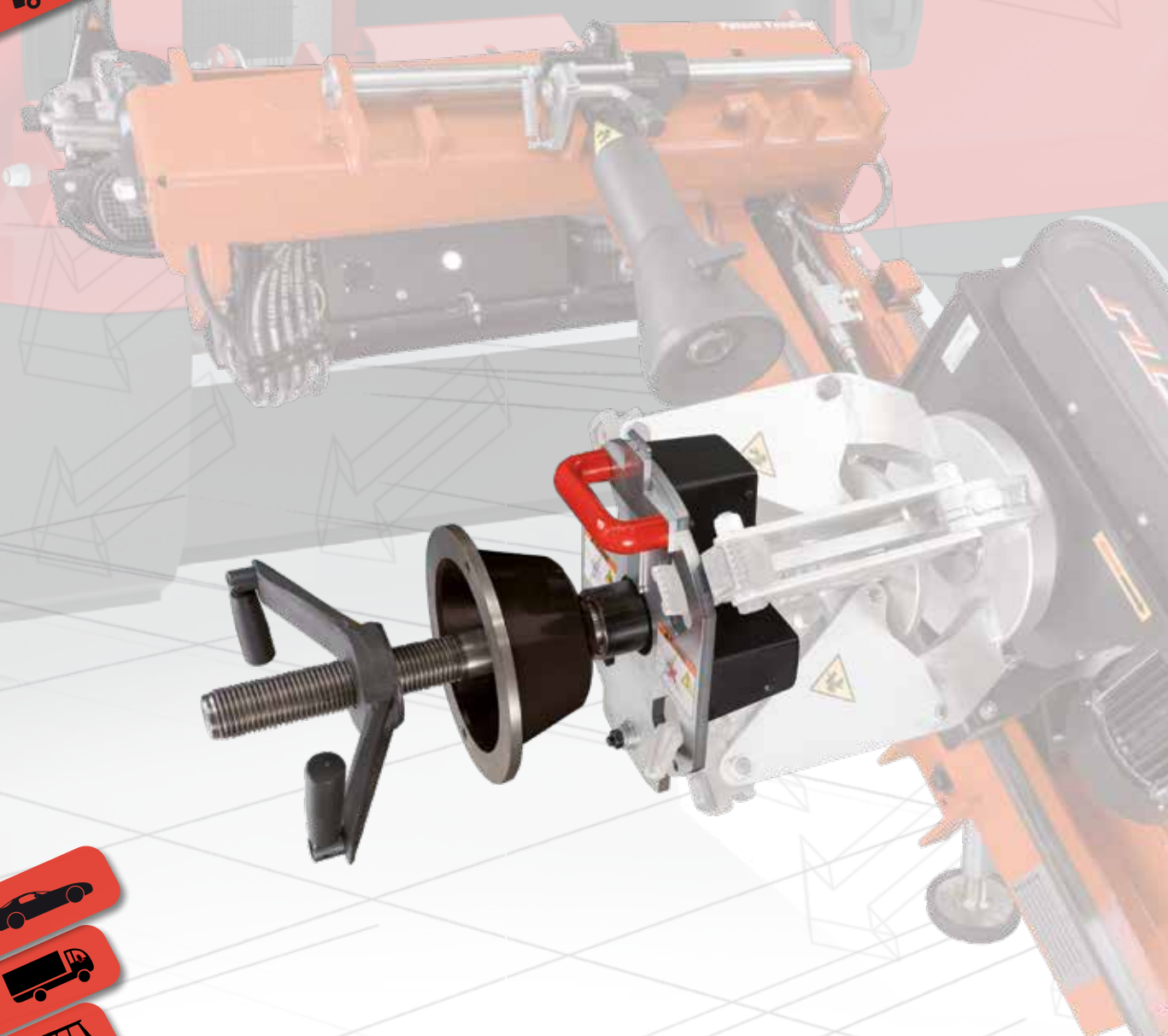
Battery Powered



Mobile Service



PORTABLE DISPLAY



Portable wheel balancer for truck, bus, light transport and car wheels

Can be mounted on any type of spindle-operated truck tyre changer

Particularly suitable for mobile service and for those who have little room in the workshop



MAIN FEATURES

- ✓ **Compact and light wheel balancer** for truck, bus, light transport and car wheels
- ✓ **Small size and weight** facilitate movement and use
- ✓ **Easy and quick mounting system** on any type of truck tyre changer.
- ✓ Suitable for **mobile service** and for those who have little room in the workshop
- ✓ **Low rotation speed**
- ✓ **Manual wheel size launch and entry**
- ✓ **Weather-resistant** thanks to IP41 protection
- ✓ Complete with **all balancing programs**:
Dynamic - Static and ALU for alloy rims.



Portable, magnetically fixed display, powered with **rechargeable batteries** and easy to use

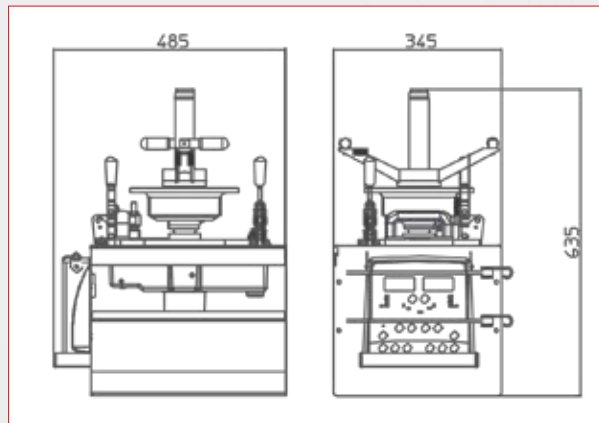


Complete with **support for housing the measuring unit, display and centring kit**

TECHNICAL SPECIFICATIONS

Power supply	12Vdc 115÷230 Vac 50/60Hz 0,018kW
Protection rating	IP41
Shaft diameter	40mm
Cycle time per wheel	8 ÷ 20 s
Balancing speed	< 70 rpm
Measurement uncertainty	10g
Average noise	< 70dB(a)
Settable rim width	1,5" ÷ 20" (40 ÷ 510 mm)
Settable diameter	10" ÷ 30" (265 ÷ 765 mm)
Maximum wheel weight	< 250 kg
Machine weight	~ 20 kg

OVERALL DIMENSIONS



EQUIPMENT



RECOMMENDED ACCESSORIES



ART 40 truck flange centring kit



CAR MATE kit



TROLLEY kit



NEXION SPA - www.corghi.com - info@corghi.com

